

## DXc Range Data Sheet

1, 2 and 4 loop, networkable, analogue addressable fire alarm control panel

The Morley-IAS DX Connexion panel is ideally suited for use in the protection of small to medium sized buildings. All in all, a compact, high performance, feature rich, economical fire alarm control panel designed to help both the installer and the end user.

The DX Connexion is an enhancement of the Morley-IAS Dimension panel range, connecting the traditional Morley-IAS qualities of reliability, flexibility and value with advanced features and intuitive functionality.

The DX Connexion range of fire alarm control panels has been developed to be the most time efficient fire panel on the market to install. Simply fix the control panel to the wall, connect the field wiring, power up and in as few as five button presses you can have a compliant, working fire alarm system. The panel's large graphical display provides a clear menu structure making the whole initial set-up process quick, clear and intuitive.

Additionally, programming the control panel couldn't be easier. Complex configuration can be achieved by using either the panel's mobile phone style key pad or by using the Windows PC programming tool supplied with the panel.



### USER INTERFACE

**Display:** 6x40 character (240x64 pixels) blue liquid crystal display with backlight illumination

**Control Keys:** Evacuate, Silence/Resound, Mute Buzzer, Extend Delay, System Reset, Show Alarm Zones

**Programming Keys:** 12 button alpha numeric key pad inc cancel and return keys plus 4 navigation keys and an OK key

**Programming Keys:** 2 independent programmable function keys and LED indicators

**Indicators:** Fire, Fault, Disablement, Test, Buzzer Muted, Delayed Mode, Sounders Silenced, Sounders Disabled and Power. Also dedicated fault LEDs for System Fault, Sounder Fault, Supply Fault and Earth Fault. 40, 80 or 160 LED fire zone indicators optional.

## NETWORKING FEATURES

- Network up to 16 loops (16x1 loop panels, 8x2 loop panels, 4x4 loop panels or any mix up to max 16 loops)
- True peer-to-peer and fault tolerant network for high system reliability
- BS5839 part 1 compliant network

## PANEL FEATURES

- Disable all relays
- Optional 40, 80 or 160 zone alarm LEDs
- Easy 5 key-press set-up
- Large blue LCD display
- Supports USB upload/download
- Alpha-numeric style keypad and navigation keys
- Option to upload a company logo
- 160 zone compact mimic support
- Panel buzzer 'mute' in engineering mode
- Up to 72 hour standby
- 3 min Inhibit Timer function
- Printer support
- Remote LED Support
- Level -3 configurable Passcode support
- Sounder Synchronization
- Fire Transmission & Keysafe Support
- Fire Transmission LED Support

## SOFTWARE FEATURES

- PC configuration software (supplied with panel)
- 80 fire zones (can be used with or without LEDs)
- 7 day timers
- Event logging
- Onboard diagnostics
- Class change function
- Coincidence and verification detection for false alarm management
- Sensitivity adjustment e.g. between day and night
- Input/output logic
- Enhanced zone support up to 160 LEDs
- Alternative zone referencing scheme
- Programming optional language support
- Event Logic support
- Remote LED Event Logic

## HARDWARE FEATURES

- Battery backed real-time clock (2 & 4 loop)
- 2 independent sounder circuits
- 500mA loop driver
- 2 x onboard monitored inputs
- Optional programmable keyswitch for selected functions
- Plug-in connectors

### Output Relays:

**Fire relay:** Single pole changeover 24V DC 1A

**Extended:** Single pole changeover 24V DC 1A

**Aux relay:** Programmable single pole changeover 24V DC 1A

### Onboard Data Ports:

1 x RS485 (Repeater connection)

1 x PC Programming Port4

### Optional Ports:

RS232 third party protocol interface

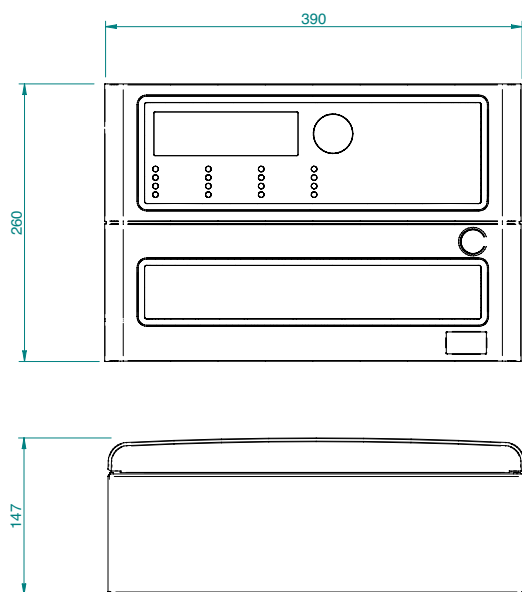
### Sounder Circuits:

2 output circuits, 1A per circuit.<sup>1</sup>

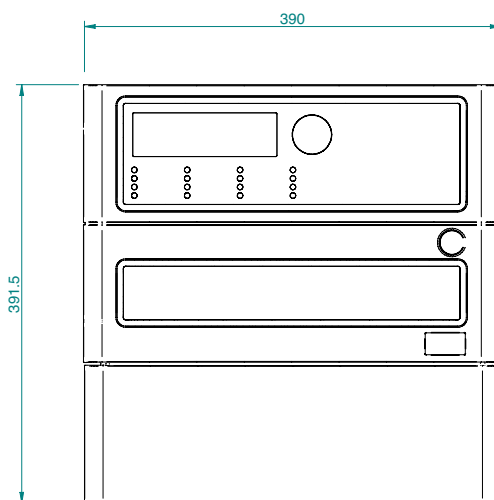


MECHANICAL	DXC1	DXC2	DXC4
DIMENSIONS [MM] (H X W X D)	260 x 390 x 147	391.5 x 390 x 147	391.5 x 390 x 147
WEIGHT (EXCLUDING BATTERIES)	4kg	4.5kg	4.5kg
COLOUR	RAL 9002 - Grey white	RAL 9002 - Grey white	RAL 9002 - Grey white
MOUNTING HOLES	3	3	3
KNOCKOUTS (20MM)	Top: 25x Bottom: 2x	Top: 25x Bottom: 4x	Top: 25x Bottom: 4x
OPERATING TEMPERATURE	0°C to +40°C	0°C to +40°C	0°C to +40°C
RELATIVE HUMIDITY	5% - 95% non-condensing	5% - 95% non-condensing	5% - 95% non-condensing
	IP30 (EN6059)	IP30 (EN6059)	IP30 (EN6059)

**MATERIAL** Mild steel sheet rear enclosure. ABS plastic front cover to BS EN60950. All displays and controls are carried on the enclosure door.



**DXC1 / DXC2 / DXC4**



**DXC2 / DXC4**

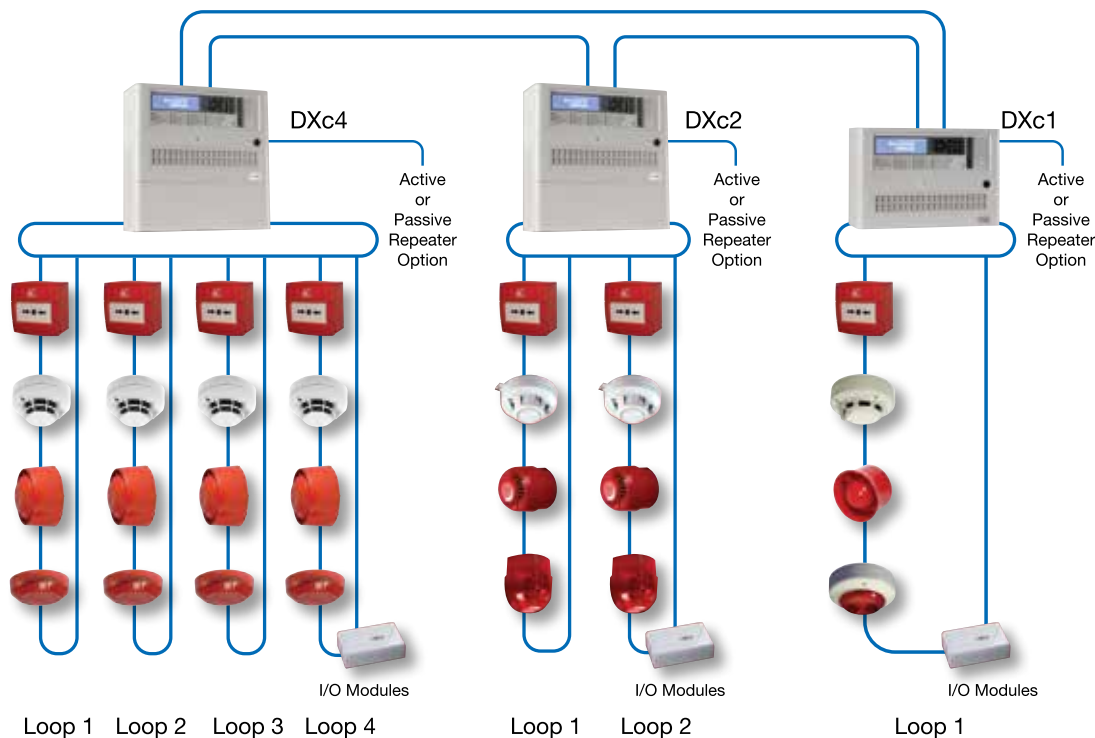
ELECTRICAL	DXC1	DXC2	DXC4
OPERATING VOLTAGE	110 / 230V AC +/-15%	110 / 230V AC +/-15%	110 / 230V AC +/-15%
PSU RATING	24V DC 2A	24V DC 4A	24V DC 4A
STAND-BY BATTERIES <sup>3</sup>	2 x 7Ah	2 x 17Ah	2 x 17Ah
STAND-BY BATTERY DURATION <sup>3</sup> (BASED ON APOLLO DEVICES)	Stand alone: 24 hours Back-up with either network card or repeater connected	Stand alone: 72 hours With network card or repeater connected: 48 hours	Stand alone: 48 hours With network card or repeater connected: 24 hours
AUXILLIARY OUTPUT <sup>1</sup>	+24V DC 250mA fused	+24V DC 250mA fused	+24V DC 250mA fused

Notes:

1 Maximum available current will be dependent on full control panel loading.

2 Not included.

# Fault Tolerant Peer-Peer Network



\* Images shown above with optional LED Kit

## PANELS

- 714/001/115 DXc1 One loop Fire Alarm Control Panel
- 714/001/225 DXc2 Two loop Fire Alarm Control Panel
- 714/001/245 DXc4 Four loop Fire Alarm Control Panel
- 709-601-001 Morley Active Repeater
- 709-701-001 Morley Passive Repeater
- 795-097 Engineers SPK (Software Programming Kit)
- 795-099 Network card
- 795-101 Blank cover kit for Extension Box
- 795-102 40 zone LED card kit
- 795-103 DXc Extension cover, comes with 80 zones LED card
- 795-111 2 loop expansion card
- 795-112 Bezel kit for DXc1 (mm: h:342 x w:471.5 x d:13)
- 795-113 Bezel kit for DXc2/4 (mm: h:473.5 x w:471.5 x d:13)

## ACCESSORIES

- 795-114 Bezel kit DXc1 plus Extension Box
  - 795-115 Bezel kit DXc2/4 plus Extension Box
  - 795-116 Custom keyplate cover for Extension Box
  - 795-118 Keyswitch kit
  - 795-119 Rack mounting kit DXc1
  - 795-120 Rack mounting kit DXc2/4
  - 795-121 Extension back box
  - 795-122 RS232 Kit (for third party protocol)
  - 795-124 80 zone LED card kit
  - 797-090 DXc EN54-4 compliant PSU
  - 020-909 DXc Compact Mimic
  - 020-910 DXc Expansion Mimic PCB
  - 020-891 USB isolated upload/download lead
- See price list GUI options

## For more information, please visit:

[www.partnerconnect.honeywell.com](http://www.partnerconnect.honeywell.com)  
 or call 1-800-103-0339  
 Email: [HoneywellSecurity&Fire@honeywell.com](mailto:HoneywellSecurity&Fire@honeywell.com)

## Honeywell Security & Fire

Unitech Trade Center  
 5th Floor, Sector -43,  
 Block C, Sushant Lok Phase - I  
 Gurgaon - 122 002  
[www.honeywell.com](http://www.honeywell.com)

For further details on these or any other Morley-IAS products please contact your local distributor, Morley-IAS Business Manager or via our contact details found below. Morley-IAS - Providing a control panel solution, for fire industry professionals, committed to supporting our device partners.

\*Please contact us for full compatibility details of supported third party devices.

