

Approvals

CNS



Specification

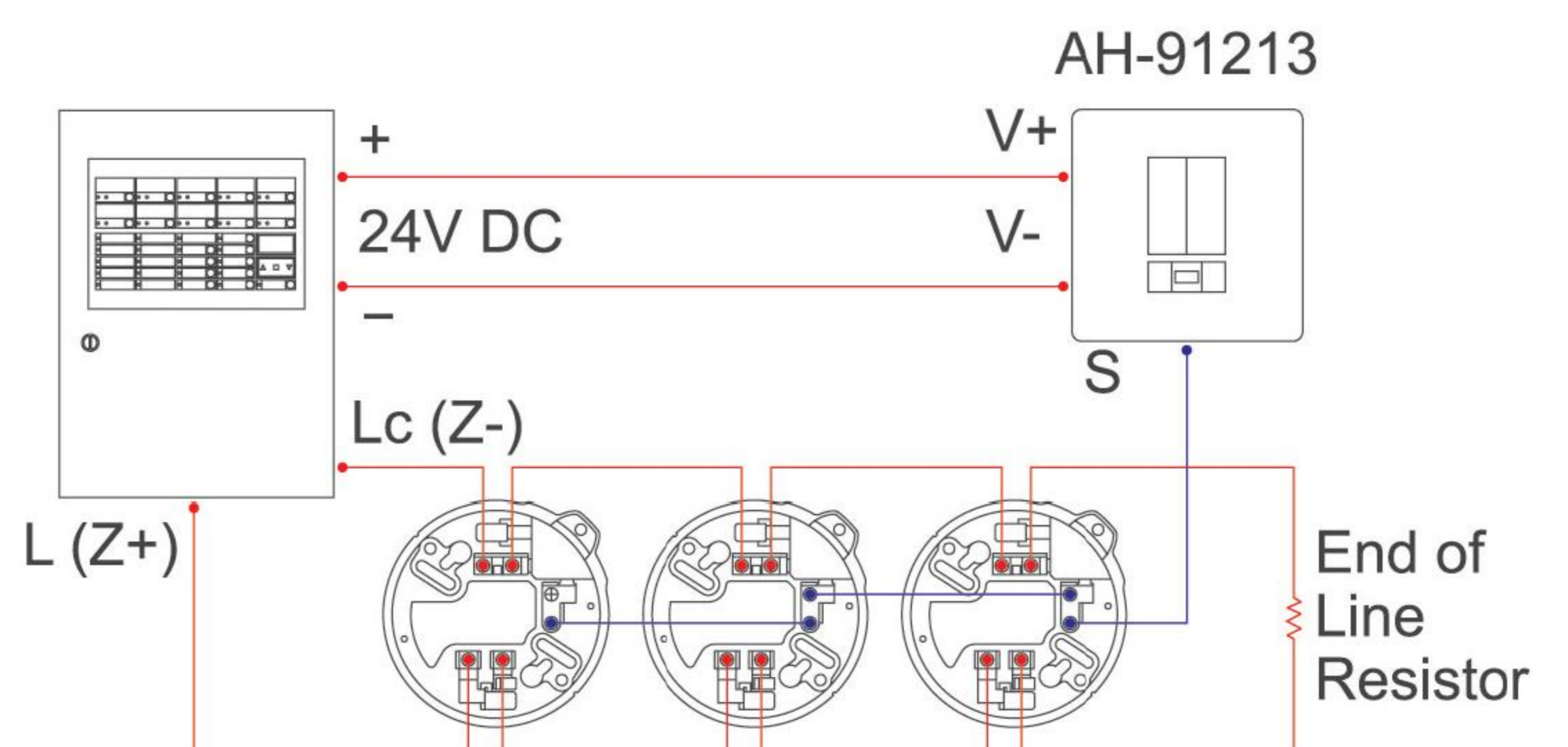
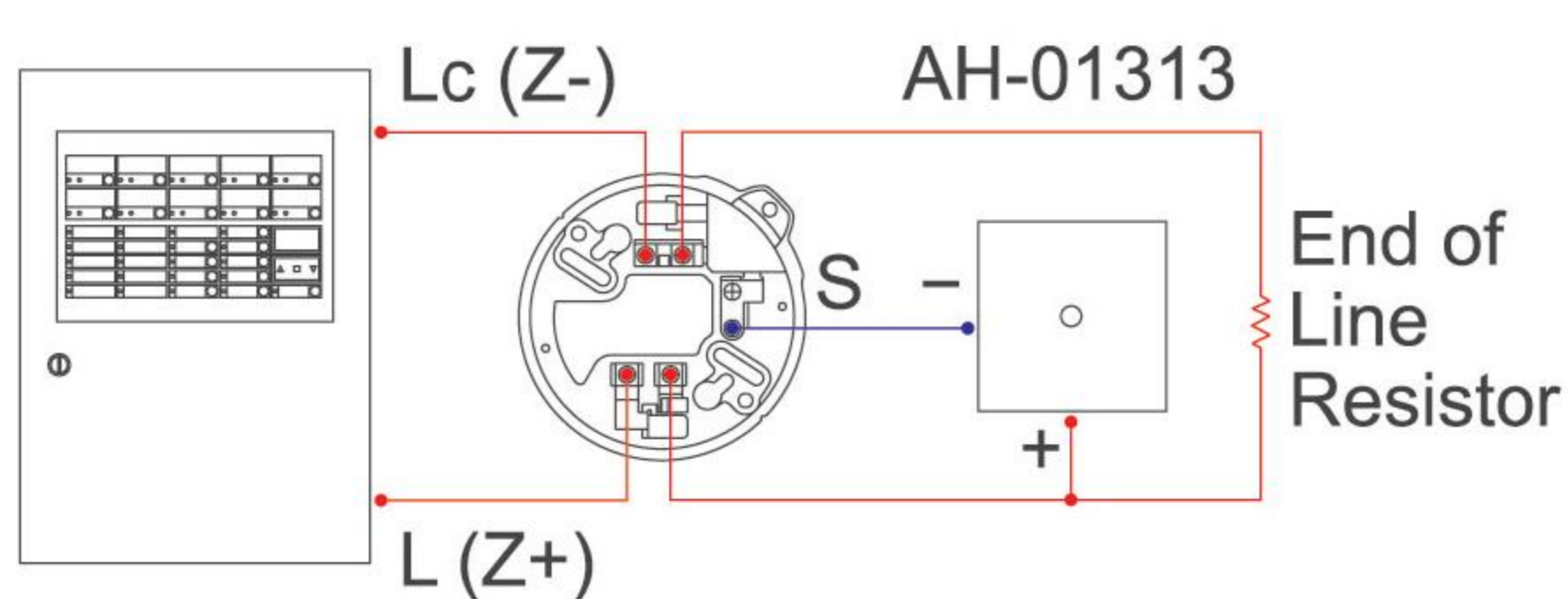
Model	AH-91213	AH-01313
Power Source	24V DC	
Standby Current	24V DC 12mA	N/A
Alarm Current	160mA	12mA
Ambient Temperature	-10°C ~ +55°C	
Material	Fire-proof plastic	
Dimensions (HxWxD)	120mmx120mm x42mm	70mmx70mm x15mm
Weight	About 140g	About 32g
Color	White surface/ Red lamp cover	White surface/ Red LED

Features

This unit is designed to ensure that alarm signal can be actually transmitted to all locations in order to prevent any missing signal caused by separated zones. Especially for the closed room, any fire condition happened can be transmitted to outside for pre-fire alarm notification.

Wiring Diagram

Fire Alarm Control Panel



Characteristics

- Enlarged indicating lamp.(Model.AH-91213)
- Build-in FLASH light, higher lumination and longer operating life. (Model.AH-91213)
- Individual revert switch.(Model.AH-91213)
- Low current consumption, so with 24VDC/2A control panel it can connect with up to 10 of Model.AH-91213 or 100 of Model.AH-01313.
- Parallel type wiring.