

# Resettable Manual Call Point | AH-0817

## Features

- Red LED with current limiting resistor.
- Two different resistance selectable (470 ohm or 680 ohm).
- Choice of red, yellow, blue or green finish also available for custom-made.
- Clear protection cover is also available (optional).

## Specifications

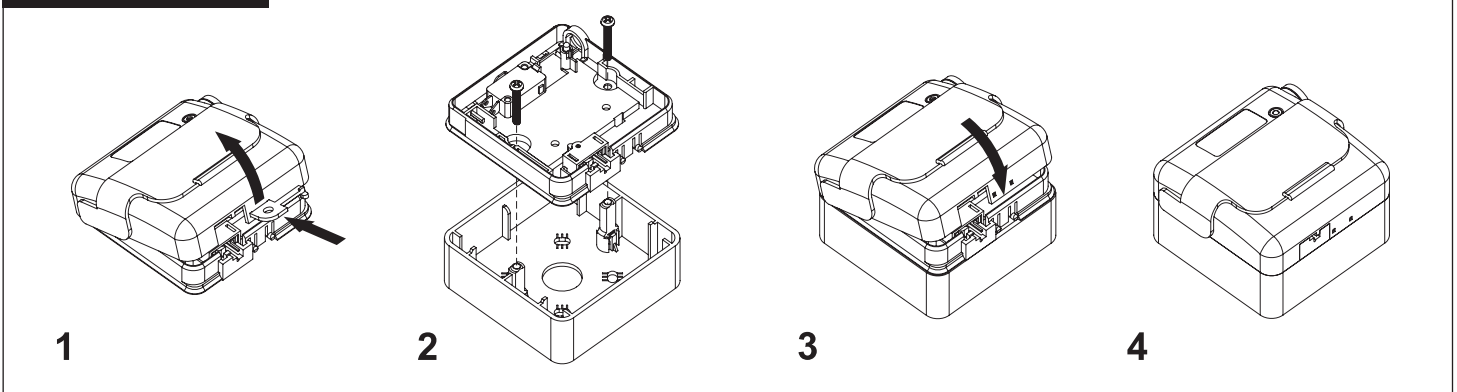
Model	AH-0817
Operating Contact	6A 125/250VAC
Resistance	30mΩ
Ambient Temperature	-25°C ~ +85°C
Dimensions (mm)	87.5 (H) x 87.5 (W) x 54 (D)
Weight	About 145g



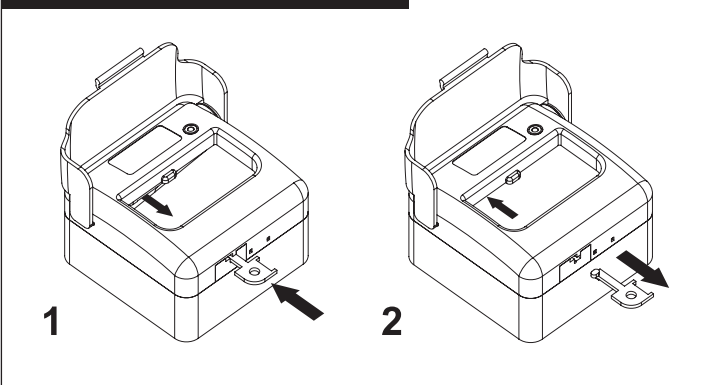
## Approvals

EN54 Pending

## TO INSTALL



## TO TEST & RESET



## Dimensions (mm) 87.5(h)x87.5(w)x54(d)

